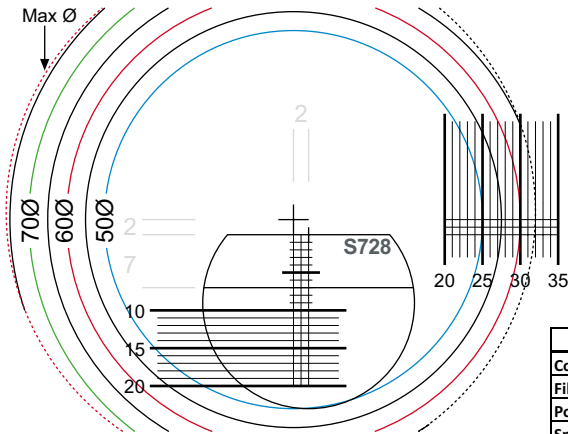


S728

Add: 1.50 - 3.00

INDEX 1.50

Middle segment 50 % of near addition.



More information	
Coating	p. 6
Filter/Tint	p. 8
Pol/Trans	n/a
Spec. grinding	p. 4-5

Design	Ø	Normal range				Special range			
		+ Sphere	- Sphere	Cylinder	Prism *	+ Sphere	- Sphere	Cylinder	Prism *
Classic	60	+8	-10	-10	6	+10AE	-16C	-10	10
Classic	70	+7	-8	-10	6	+8E	-16C	-10	10
Classic	75	+6	-6	-8	4	+7	-16C	-8	8
Atoric/Perform	60	+8	-10	-6	6	+10AE	-16C	-6	6
Atoric/Perform	70	+7	-8	-6	6	+8E	-16C	-6	6
Atoric/Perform	75	+6	-6	-6	4	+7	-16C	-6	6

A=Possible with reduced diameter C=With Myosoft  
E=Bi convex \*=Prism depends on prism base and power

S728 Transitions

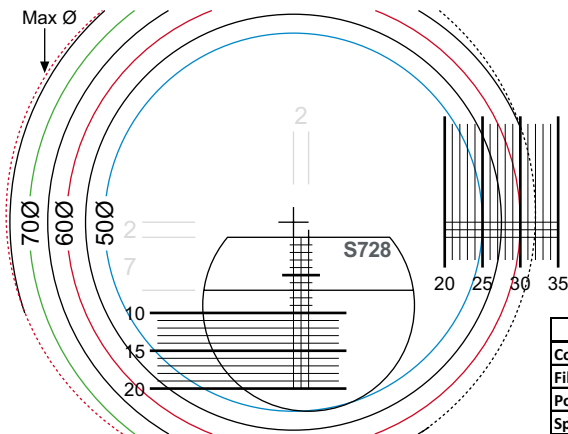
Add: 1.50 - 3.00

INDEX 1.50

BROWN GREY

Transitions Signature

Middle segment 50 % of near addition.



More information	
Coating	p. 6
Filter/Tint	p. 8
Pol/Trans	p. 7
Spec. grinding	p. 4-5

Design	Ø	Normal range				Special range			
		+ Sphere	- Sphere	Cylinder	Prism *	+ Sphere	- Sphere	Cylinder	Prism *
Classic	60	+8	-10	-10	6	+10AE	-16C	-10	10
Classic	70	+7	-8	-10	6	+8E	-16C	-10	10
Classic	75	+6	-6	-8	4	+7	-16C	-8	8
Atoric/Perform	60	+8	-10	-6	6	+10AE	-16C	-6	6
Atoric/Perform	70	+7	-8	-6	6	+8E	-16C	-6	6
Atoric/Perform	75	+6	-6	-6	4	+7	-16C	-6	6

A=Possible with reduced diameter C=With Myosoft  
E=Bi convex \*=Prism depends on prism base and power

**Blanks not in stock.  
Delivery time + 5 days.**